

ST-5A Hinge

Position control · Constant torque

Features

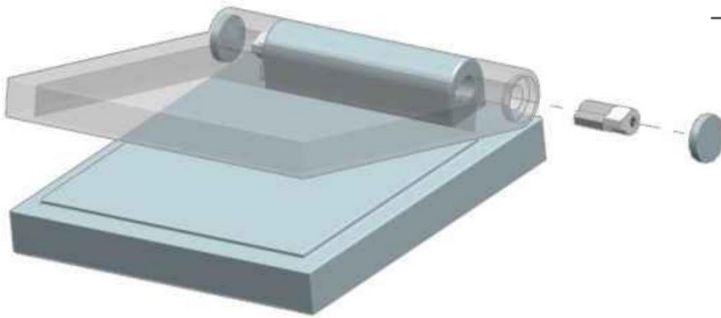
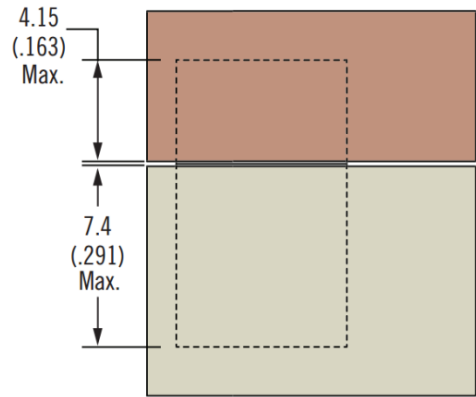
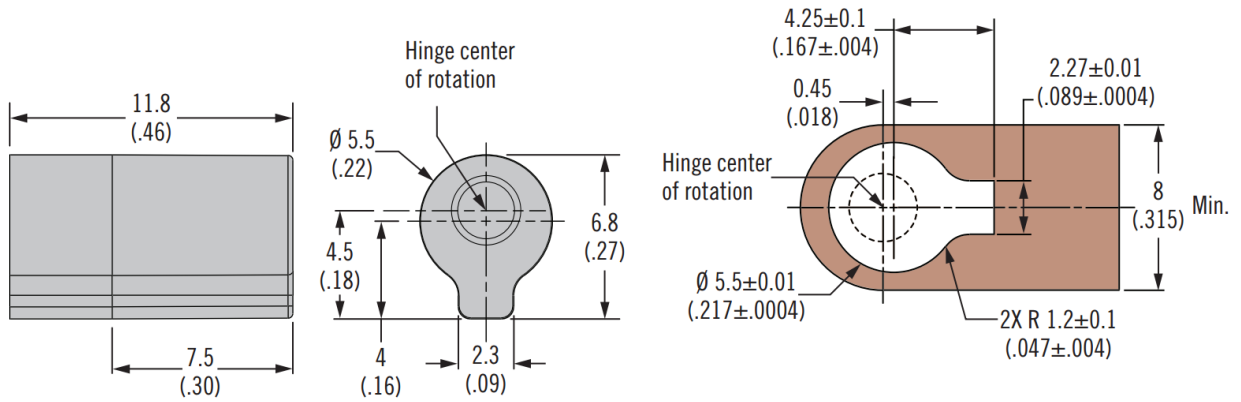
- Smooth consistent operation
- Compact design fits the smallest applications
- Never requires adjustment

Material

- Aluminum, zinc alloy and steel, natural

Product Performance

- Cycle performance: 20,000 cycles within $\pm 20\%$ of static torque specification
- Maximum static radial load: 130 N



| Part Number | Static Torque N·m (in·lbf) |
|--------------|----------------------------|
| ST-5A-10S-33 | 0.113 (1.0) |
| ST-5A-16S-33 | 0.181 (1.6) |
| ST-5A-23S-33 | 0.260 (2.3) |
| ST-5A-30S-33 | 0.339 (3.0) |